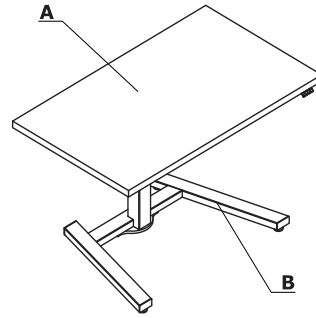


Colour combination - Ogi One



Material	Colour	Desks														
		A - Top	B - Frame													
MFC	02 - grey	✓														
	08 - black	✓														
	26 - aluminum satinato	✓														
	31 - canadian oak	✓														
	39 - polar birch	✓														
	64 - cocoa	✓														
	67 - white pastel	✓														
	106 - lowland walnut	✓														
	154 - anthracite	✓														
	167 - grey oak	✓														
	168 - natural oak	✓														
	169 - honey oak	✓														
	170 - acacia	✓														
	171 - dark walnut	✓														
	174 - beige matte	✓														
183 - FENIX - black matte	✓*															

* option with an upcharge: worktop laminated in HPL FENIX - edges in either 08 - black or 160 - ash (with an upcharge)

Material	Colour	Desks													
		A - Top	B - Frame												
Metal	M009 - aluminium semi-matt RAL 9006		✓												
	M015 - white semi-matt RAL 9010		✓												
	M154 - anthracite semi-matt RAL 7043		✓												
	M115 - black semi-matt RAL 9005		✓												
	M026 - olive semi-matte RAL 6013		✓*												
	M027 - blue semi-matte RAL5003		✓*												
	M028 - brick red semi-matte RAL 0404040		✓*												
	M029 - yellow semi-matte RAL 0807060		✓*												
	M030 - beige semi-matte RAL 0608005		✓*												

* option with extra charge